



**FACTORY DIRECT**  
— F L O O R I N G —

**Karndean Palio**

**Installation  
& Care Guide**



**IMPORTANT NOTES ABOUT YOUR FLOORING. READ BEFORE INSTALLING**

# Care Guide

## Acclimatization and Storage

Your new flooring has to be acclimatized for 24 hours before installation begins. The flooring must remain in its packaging stored horizontal in the room, which it is to be installed into. Please Note the room must be between 18° and 24°, room conditions should never exceed 50° or fall below 10°.

## Subfloor

It is of the utmost importance that the subfloor is dry, clean, solid and flat. You can find appropriate electronic moisture meters in DIY stores, the subfloor must be flat and the flatness tolerances must be observed. The installer must always and in particular with renovation work check the current status of the subfloor, if it does not meet the requirements stated here extra work will need to be carried out to level the subfloor out, to determine the flatness of your floor apply these tolerances over 3m length the floor must not be more than 3mm difference.

## Underfloor Heating

We can recommend water based underfloor heating systems be used with Aqua Plank Ultra flooring with a temperature not exceeding 27°C and an average running of 20°C. The heating must be turned off 48hrs prior to installation and once the flooring has been installed turned on with an increase in working temperature of 5°C per day until normal operating temperature has been reached. Water Based heating pipes are to be fitted a minimum of 30mm below the subfloor surface and electric based cables and grids a minimum of 10mm.

## Tools

Having the correct tools and equipment and understanding of how to use them safely is key to a successful installation, Broom and or a vacuum cleaner, tape measure, pencil, set square, ruler, utility knife, hand roller, rubber mallet and a tapping block.

## Expansion

Depending on the climate conditions your flooring will expand or contract, it therefore needs to be kept a suitable distance away from any fixed structures such as walls, supports, door frames, radiator pipes etc., this is called the expansion gap. This gap should be a minimum of 8mm, for areas larger than 60m<sup>2</sup> it is recommended to increase this minimum size to a 10mm gap, if the run of a single wall exceeds 20 linear metres then expansion profiles must be used.

### PLEASE NOTE

All flooring will CHIP, DENT and SCRATCH unless care is taken to PROTECT it, FELT PADS should be used on all moveable furniture. Matting at room entrances will greatly reduce grit and dirt from being transferred onto your flooring.

Liability for the installation remains with the installer following the fitting instructions and guides supplied and ensuring that the product and area are both suitable to be installed.

Prevent the flooring from coming into contact with a large amount of water, or from being submerged as the click connection is not waterproof.

Conservatories and rooms with excessive light should be avoided unless protection screens are used, this can be glass protection or blinds.

Always inspect materials for faults or damage as no claims on surface defects can be accepted after installation.

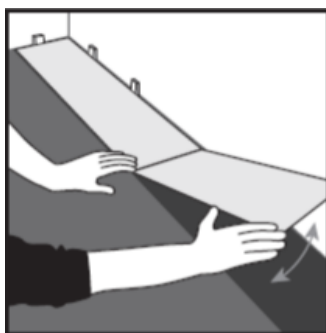


# Karndean Palio Installation Instructions

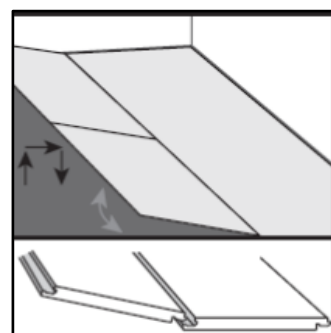
The subfloor should be clean dry and flat, remove any dirt, paint, wax, oil or any contaminants before you begin the installation.



Install the first plank or tile with the longer tongue side of the board facing the wall, use spacers to give a 5mm expansion gap between the board and the wall.



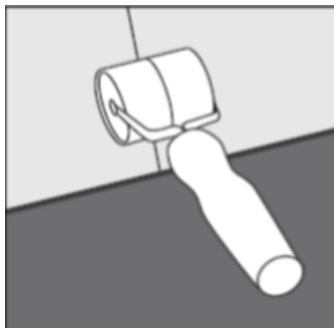
The first row is laid by clicking the end joints together, cut the last board in the row to size making sure the 5mm expansion gap has been left.



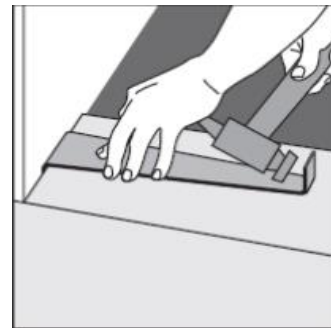
The 2nd row is started by clicking in the tongue of the 2nd row starter board into the groove of the board on the first row at approx 30° the board is fixed by pushing it firmly in the first row.



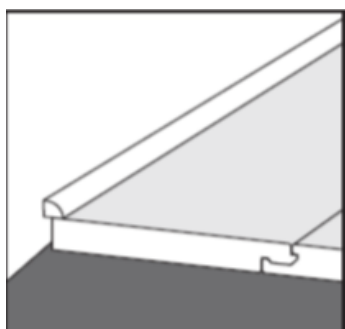
Fit the next board by clicking the tongue and groove together along the short edge. Ease the tongue and groove together along the long side by angling the boards together.



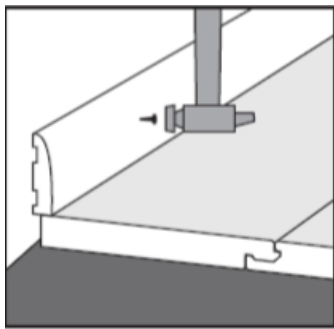
Using an off cut of the product with a rubber mallet is recommended for assisting in fitting the boards, a hand roller can help secure the boards over the joints.



The remainder of the row is completed using these techniques. A pull bar can be used to pull the boards together around the edges of the room. Repeat this method until your installation is complete.



Once the floor has been fitted remove the spacers from around the edge and sweep with a soft broom.



The expansion gap can be covered with a trim or a skirting suitable enough to cover the gap. These should be fixed to the wall, never to the flooring.



# Aftercare

## How to Care for Your Floor

1. Remove all loose dirt and debris from the flooring by using a vacuum cleaner, broom or a dust pan and brush, electro static wipes, if you are using a vacuum cleaner please refer to the manufacturers guidelines and make sure that it will be suitable for cleaning aqua plank flooring.

2. We recommend that only PH Neutral cleaners and disinfectants are used during the cleaning of your new floor, try to remove spills as soon as they arrive on the floor and rinse down with warm clean water, please be aware no flooring product will be impervious to every chemical or solvent and to avoid rubber and petroleum based products such as tyres, casters, floors mats and asphalt sealers which may contain chemicals that could react and permanently stain your floor.

3. We recommend fitting a suitable non-rubber backed doormat as this can prevent up to 80% of tracked in dirt debris.

4. Avoid swamping the floor area with detergent and rinse water, take care to remove all liquids off the surface as re-deposited rinse water with dirt and detergent can settle on the surface and give a hazy appearance.

### HELPFUL TIPS

Avoid dragging or sliding heavy items of furniture, carousels and point of sale across the floor.

Spending a small amount of time looking after your new click vinyl floor will ensure that it continues to look at its best and provide you with many years of carefree use without the need of costly maintenance and repairs.

Never use abrasive cleaners or scourers

Never use waxes or floor polishes during cleaning

DO USE MOP AND WATER FOR CLEANING

DO USE DRIP TRAYS UNDERNEATH POT PLANTS

DO USE PH NEUTRAL CLEANERS

DO REMOVE ANY SPILLS OR EXCESSIVE LIQUIDS AS SOON AS THEY OCCUR

