



FACTORY DIRECT
— FLOORING —

Endorse
Herringbone
**Installation
& Care Guide**



IMPORTANT NOTES ABOUT YOUR FLOORING. READ BEFORE INSTALLING

Care Guide

Acclimatization and Storage

Your new flooring has to be acclimatized for 24 hours before installation begins. The flooring must remain in its packaging stored horizontal in the room, which it is to be installed into. Please Note the room must be between 18° and 24°, room conditions should never exceed 50° or fall below 10°.

Subfloor

It is of the utmost importance that the subfloor is dry, clean, solid and flat. You can find appropriate electronic moisture meters in DIY stores, the subfloor must be flat and the flatness tolerances must be observed. The installer must always and in particular with renovation work check the current status of the subfloor, if it does not meet the requirements stated here extra work will need to be carried out to level the subfloor out, to determine the flatness of your floor apply these tolerances over 3m length the floor must not be more than 3mm difference.

Underfloor Heating

We can recommend water based underfloor heating systems be used with a temperature not exceeding 27°C and an average running of 20°C. The heating must be turned off 48hrs prior to installation and once the flooring has been installed turned on with an increase in working temperature of 5°C per day until normal operating temperature has been reached. Water Based heating pipes are to be fitted a minimum of 30mm below the

Tools

Having the correct tools and equipment and understanding of how to use them safely is key to a successful installation, Broom and or a vacuum cleaner, tape measure, pencil, set square, ruler, utility knife, Hand roller, floor roller (50 - 65kg), chalk line and adhesive trowel

Expansion

Depending on the climate conditions your flooring will expand or contract, it therefore needs to be kept a suitable distance away from any fixed structures such as walls, supports, door frames, radiator pipes etc., this is called the expansion gap. This gap should be a minimum of 8mm, for areas larger than 60m² it is recommended to increase this minimum size to a 10mm gap, if the run of a single wall exceeds 20 linear metres then expansion profiles must be used.

PLEASE NOTE

All flooring will CHIP, DENT and SCRATCH unless care is taken to PROTECT it, FELT PADS should be used on all moveable furniture. Matting at room entrances will greatly reduce grit and dirt from being transferred onto your flooring.

Liability for the installation remains with the installer following the fitting instructions and guides supplied and ensuring that the product and area are both suitable to be installed.

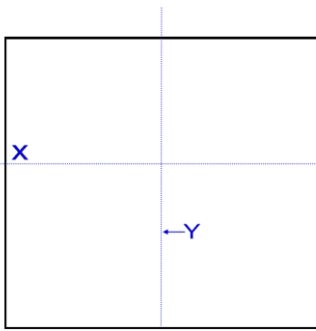
Prevent the flooring from coming into contact with a large amount of water, or from being submerged as the click connection is not waterproof.

Conservatories and rooms with excessive light should be avoided unless protection screens are used, this can be glass protection or blinds.

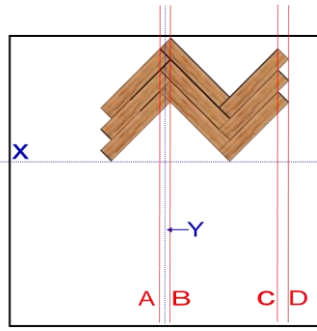
Always inspect materials for faults or damage as no claims on surface defects can be accepted after installation.



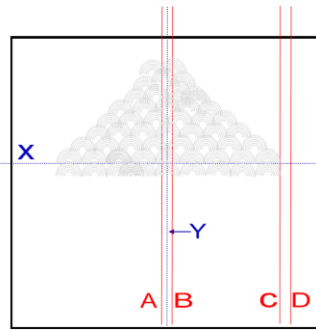
Endorse Herringbone Installation Guide



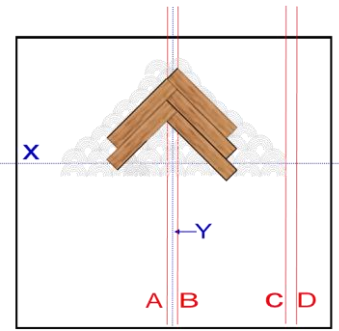
A herringbone design should typically be started from a central axis, using a chalk line or straight edge to mark the centre of your room create the 'x' line, then a second line needs to intersect this line at 90° to create the 'y' line. Setting this axis up is crucial and its good practice to check all angles and measurements are correct at this stage before any planks are laid.



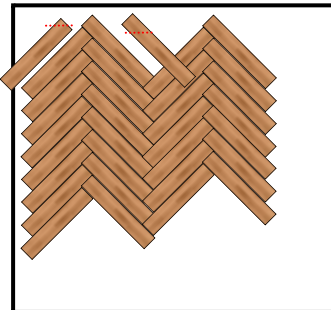
The A and B lines pass through the top points of the left and right planks, using a chalk line they are equally spaced from the Y axis line. This will help maintain your pattern.



Ensure the correct adhesive has been selected for the area and its conditions and that the instructions for it have been read and understood, working to the adhesive's open or working time is crucial to a successful installation. Do not spread more adhesive than can be used for the open time period.



The herringbone planks can then be laid into the adhesive, remember to observe any direction arrows printed on the underside of the plank or tile.



Planks or tiles will need to be cut to allow finishing up against a static object such as a wall, skirting board or Radiator Pipe, when cut make sure that the board fits free of the static object.

To make sure there is full contact between the board and the adhesive once laid use a hand roller to press the board in. Wipe any excess glue off the boards using a damp cloth Once a section or area has been finished use a floor roller (50 - 65kg) in different directions to ensure a good bond Repeat this process to build up the area of flooring until complete.



FACTORY DIRECT
— FLOORING —

Aftercare

How to Care for Your Floor

1. Remove all loose dirt and debris from the flooring by using a vacuum cleaner, broom or a dust pan and brush, electro static wipes, if you are using a vacuum cleaner please refer to the manufacturers guidelines and make sure that it will be suitable for cleaning aqua plank flooring.

2. We recommend that only PH Neutral cleaners and disinfectants are used during the cleaning of your new floor, try to remove spills as soon as they arrive on the floor and rinse down with warm clean water, please be aware no flooring product will be impervious to every chemical or solvent and to avoid rubber and petroleum based products such as tyres, casters, floors mats and asphalt sealers which may contain chemicals that could react and permanently stain your floor.

3. We recommend fitting a suitable non-rubber backed doormat as this can prevent up to 80% of tracked in dirt debris.

4. Avoid swamping the floor area with detergent and rinse water, take care to remove all liquids off the surface as re-deposited rinse water with dirt and detergent can settle on the surface and give a hazy appearance.

HELPFUL TIPS

Avoid dragging or sliding heavy items of furniture, carousels and point of sale across the floor.

Spending a small amount of time looking after your new vinyl floor will ensure that it continues to look at its best and provide you with many years of carefree use without the need of costly maintenance and repairs.

Never use abrasive cleaners or scourers

Never use waxes or floor polishes during cleaning

DO USE MOP AND WATER FOR CLEANING

DO USE DRIP TRAYS UNDERNEATH POT PLANTS

DO USE PH NEUTRAL CLEANERS

DO REMOVE ANY SPILLS OR EXCESSIVE LIQUIDS AS SOON AS THEY OCCUR

