



FACTORY DIRECT
— F L O O R I N G —

Embrace
Herringbone
Parquet

**Installation
& Care Guide**

IMPORTANT NOTES ABOUT YOUR FLOORING. READ BEFORE INSTALLING

Embrace Herringbone 8mm Installation Guide

Care Guide

Acclimatization and Storage

Your new flooring must be acclimatized for 48hrs before installation begins. The flooring must remain in the packs, stored horizontal in the room which it is to be installed. Please note the room must be between 18° and 24°. Heat sources or other direct radiant heat exceeding 50° are not allowed. The relative air humidity must be between 40% - 70%.

Subfloor

Installation should not be attempted without observing the information below

All flooring must be fitted on to a dry, clean, smooth and flat subfloor failure to do so will result in post installation problems. Moisture meters are readily available in DIY stores if required, the flatness tolerances of the subfloor must be observed. The installer must always and in particular with renovation work check the current status of the subfloor, if it does not meet the requirements stated here extra work will be needed to flatten the subfloor out, to determine the flatness of your floor apply these tolerances over a 1m length, the floor must not be more than 1mm difference in height, **failure to do so** will **allow** unwanted movement in the flooring resulting in creaking and cracking at the joints where the flooring is moving under pressure over applied weight, special attention needs to be adhered when installing herringbone floors which will contain a great deal more boards and joints susceptible to movement.

Underfloor Heating

We can recommend water based underfloor heating systems be used with a suitable engineered flooring in conjunction with a suitable underlay, a temperature not exceeding 27°C and an average running of 20°C. The heating must be turned off 48hrs prior to installation and once the flooring has been installed turned on with an increase in working temperature of 5°C per day until normal operating temperature has been reached. Water Based heating pipes are to be fitted a minimum of 30mm below the subfloor surface.

Tools

Having the correct tools and equipment and the understanding of how to use them safely is key to a successful installation, in conjunction with some standard hand tools Hammer, Hand Saw, Square, tape measure, screw driver you may wish to use power tools such as a chop saw, jigsaw or cordless screwdriver to speed you along, paying attention when cutting with power tools to observe the blade cutting direction and place the plank accordingly to prevent breakout on the finished surface.

Expansion

Depending on the climate conditions your flooring **will** expand or contract, it therefore needs to be kept a suitable distance away from any fixed structures such as walls, supports, door frames, radiator pipes etc, this is called the expansion gap.

This gap should be a minimum of 8mm on Laminate in smaller areas on each edge of the floor, larger areas the gap will need to be increased. As a guide each linear meter of flooring fitted requires a 2mm gap either side of the floor, e.g. a 6m run will require an expansion gap of 12mm each side of the floor. Larger areas such as angular areas or installations that cover more than one room will require additional clearance, these gaps can be hidden by using expansion profiles or a scotia bead, for areas over 6m x 10m please add internal expansion to avoid issues with movement.

PLEASE NOTE

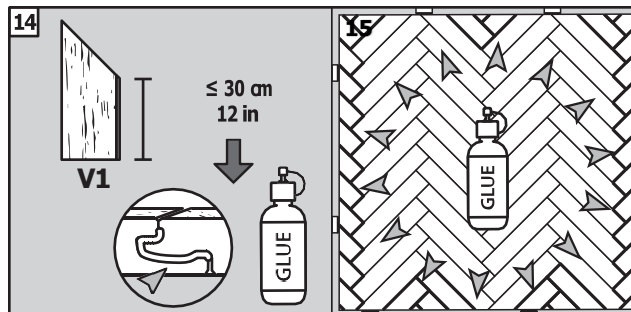
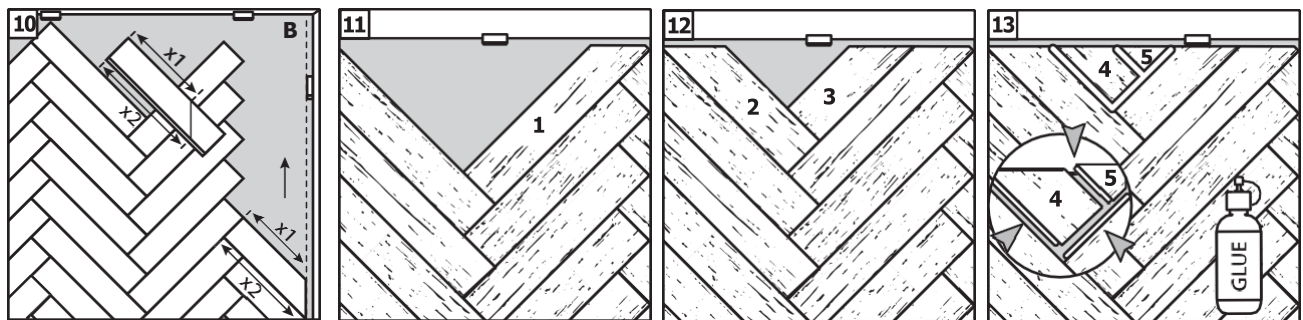
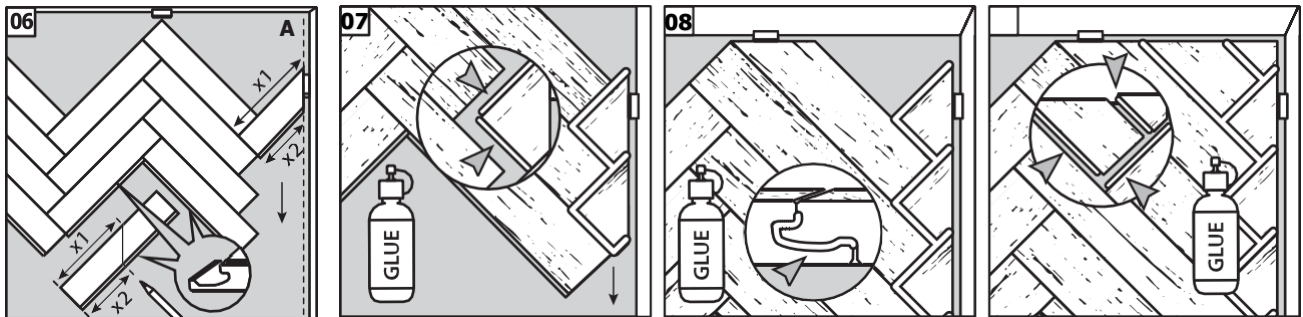
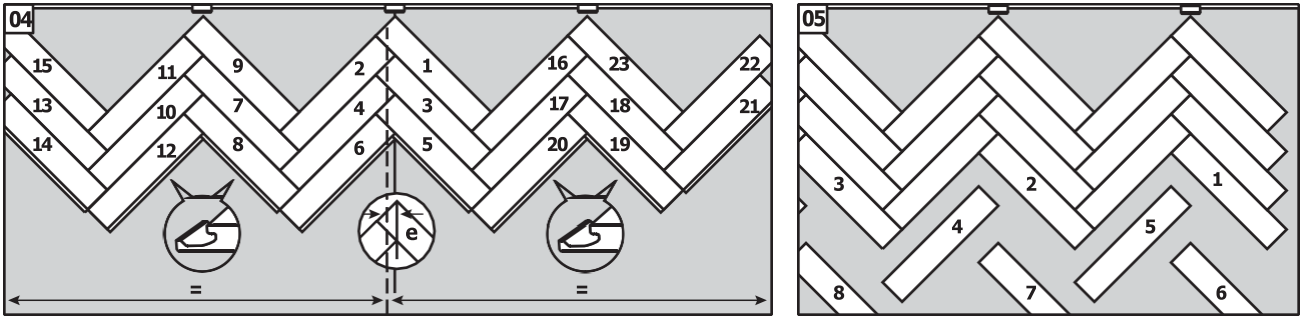
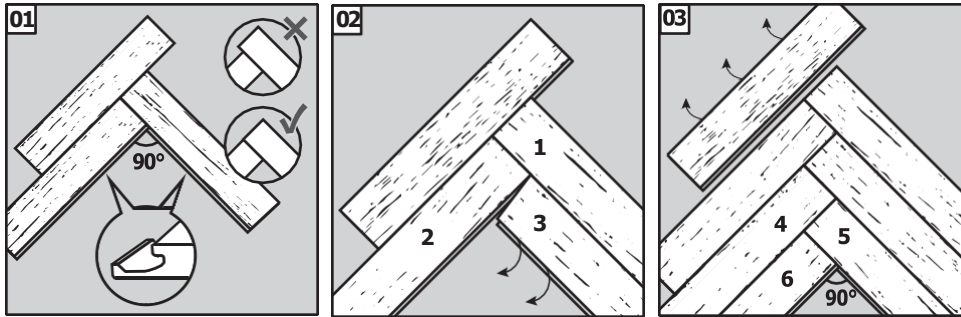
All flooring will CHIP, DENT and SCRATCH unless care is taken to PROTECT it, FELT PADS should be used on all moveable furniture. Matting at room entrances will greatly reduce grit and dirt from being transferred onto your flooring.

Liability for the installation remains with the installer following the fitting instructions and guides supplied and ensuring that the product and area are both suitable to be installed. Prevent the flooring from coming into contact with a large amount of water.

Conservatories and rooms with excessive light should be avoided unless protection screens are used, this can be glass protection or blinds.

Always inspect materials for faults or damage as no claims on surface defects can be accepted after installation.





Aftercare

How to Care for Your Floor

1. Laminate flooring is one of the toughest and hardest wearing floor coverings and is very simple to care for ensuring it retains its beautiful look, a simple routine of dry mopping, vacuuming and sweeping will keep loose dirt and grit off its surface and prevent scratching from occurring.

2. Footmarks, dirt and stains can be removed with a thoroughly wrung out mop **Never** use a wet mop or excessive amounts of water in cleaning laminate floors.

3. More stubborn stains and marks can be removed with mild solvents with an alcohol content or with acetone nail polish remover **Never** use abrasive cleaners or scourers when cleaning a laminate floor.

4. The use of mats covering entrances from outside areas will prevent one of the biggest causes of surface scratches when dirt and grit is brought in underneath footwear.

5. Always lift furniture items they should never be dragged on laminate floors and the use of felt pads placed underneath will prevent surface damage during smaller movements and daily use at the point of contact with the floors surface.

HELPFUL TIPS

Avoid dragging or sliding heavy items of furniture, carousels and point of sale across the floor.

Spending a small amount of time looking after your new Laminate floor will ensure that it continues to look at its best and provide you with many years of carefree use without the need of costly maintenance and repairs.

Never use abrasive cleaners or scourers

Never use wax or floor polishes during cleaning the floor

Never use a wet mop or large amounts of water during cleaning

Do use mats in high traffic areas and at entrances to your wood floor.

Do remove any spills or excessive liquids as soon as they occur.

Minor damages can be repaired with touch in kits to suit the colour of the floor.

